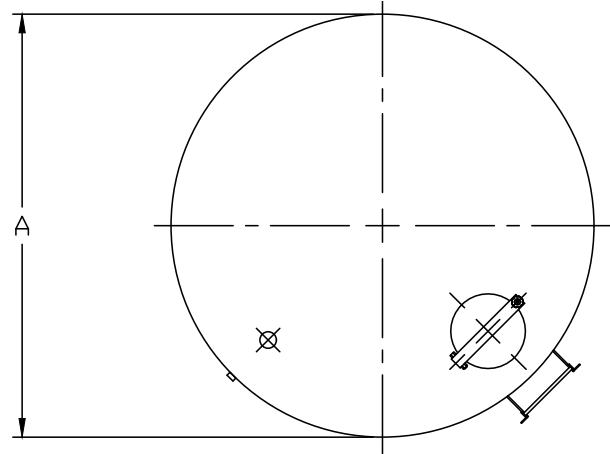
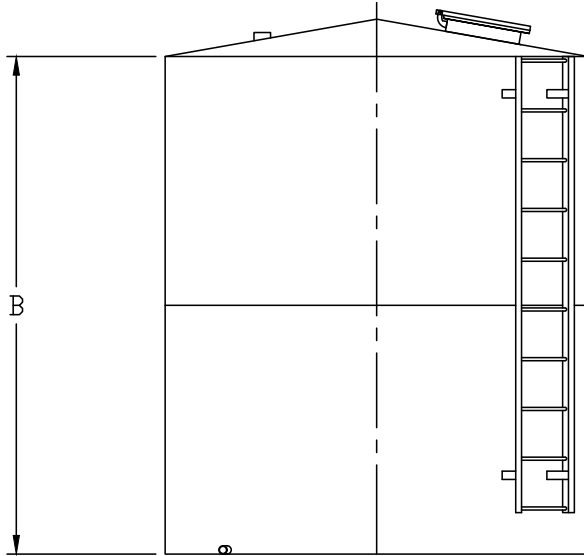


Vertical Flat Bottom Liquid Tanks

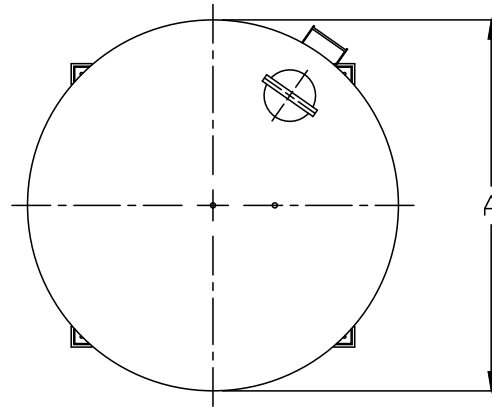
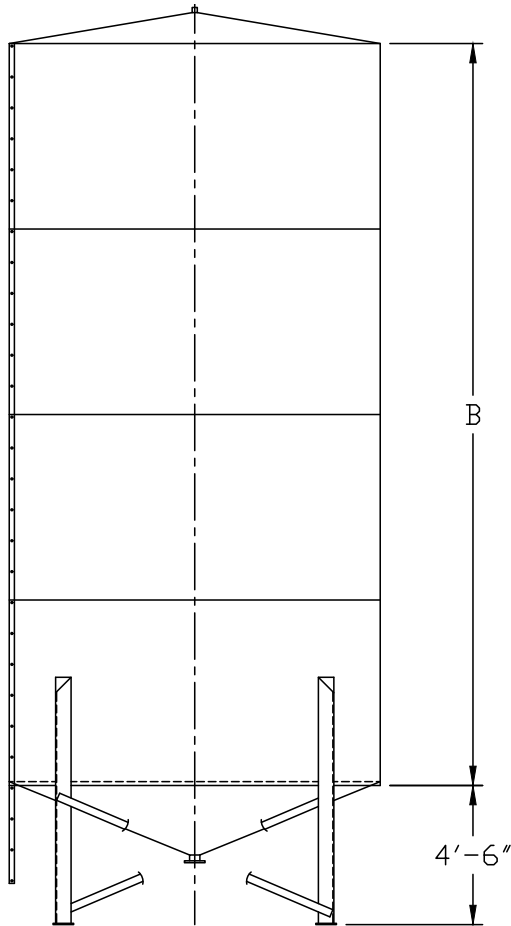


Gallon	A	B
5,000	8'-6"	12'
6,000	8'-6"	14'
8,100	8'-6"	18'
10,500	10'-0"	18'
12,800	11'-0"	18'
15,200	12'-0"	18'
20,300	12'-0"	24'
25,380	12'-0"	30'
30,500	12'-0"	36'

Vertical Flat Bottom Liquid Tanks

- A-36 Carbon Steel Construction
- Double-welded Design
- Pitched Roof (Approx. 10 Degrees)
- Non-pressurized Manhole
- 2" NPT Inlet, Outlet, & Vent Couplings
- Outside Ladder with OSHA Compliant Fall Arrest Cable System
- Sandblast, Prime, and Paint
- Standard Colors:
- RAL 7038 Gray, RAL 9010 White, RAL 1001 Tan, RAL 1032 Yellow

Vertical Cone Bottom Liquid Tanks



Gallon	A	B
5,000	8'-6"	12'
6,000	8'-6"	14'
8,100	8'-6"	18'
10,500	10'-0"	18'
12,800	11'-0"	18'
15,200	12'-0"	18'
20,300	12'-0"	24'
25,380	12'-0"	30'
30,500	12'-0"	36'

Vertical Cone Bottom Liquid Tanks

- A-36 Carbon Steel Construction
- Double-welded Design
- Pitched Roof (Approx. 10 Degrees)
- Sloped Cone (Approx. 20 Degrees)
- 2'-0" Cone Discharge Height
- Angle Iron Legs & X-Bracing
- Non-pressurized Manhole
- 2" NPT Inlet, Outlet, & Vent Couplings
- Outside Ladder with OSHA Compliant Fall Arrest Cable System
- Sandblast, Prime, and Paint
- Standard Colors:
- RAL 7038 Gray, RAL 9010 White, RAL 1001 Tan, RAL 1032 Yellow